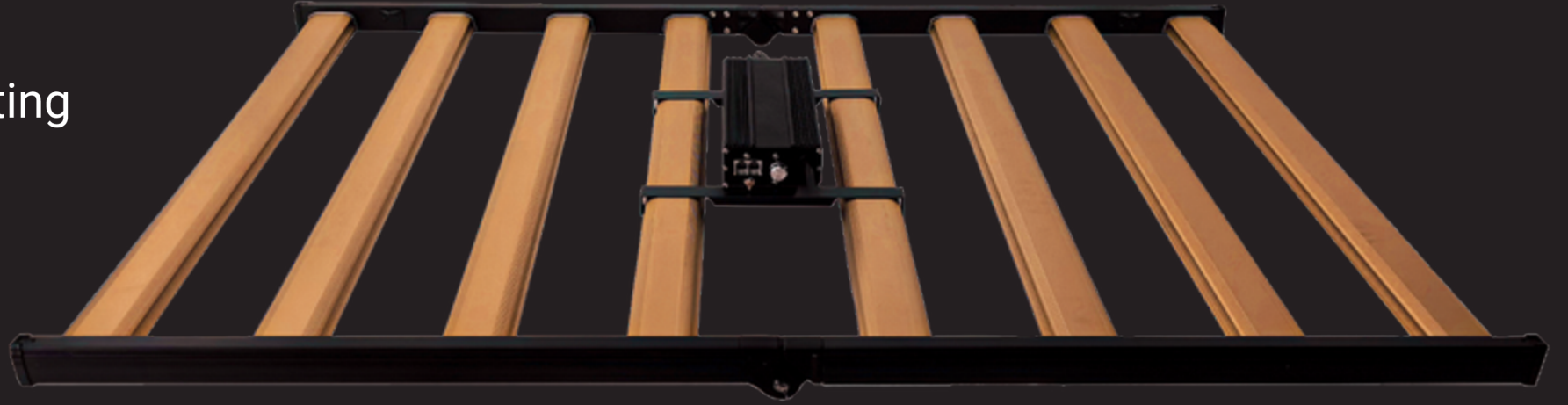


Evo GROW



SR-8 840W LED 208-480V

The Evo Grow SR-8 840w LED allows for high performance lighting in vertical and low mounting applications. This powerful, full-spectrum, 840 watt light is intended for experienced growers for full-time use in the vegetative stage through the higher PFPD flower stage.



POWER	SPECTRUM	PERFORMANCE	AMPS / VOLTS	ACCESSORIES
840 Watts	3,950K High Red Full Spectrum	PPE: 3.0 umol/s PPF: 2,520 umol/J	3.5A @ 240V 3.0A @ 277V 1.8A @ 480V	8FT AC Power Cord RJ12 Dimming Cord Hanging Gear

PERFORMANCE

With a power consumption of 840 watts and an impressive output of 2,520 PPF (Photosynthetic Photon Flux), this fixture promises unparalleled efficiency (3.0) for commercial cannabis.

SPECTRUM

Our High Red Full-Spectrum offers light emission across the PAR 400-750nm wavelength range. We balance efficiency with quality of light to achieve the desired plant response and work environment.

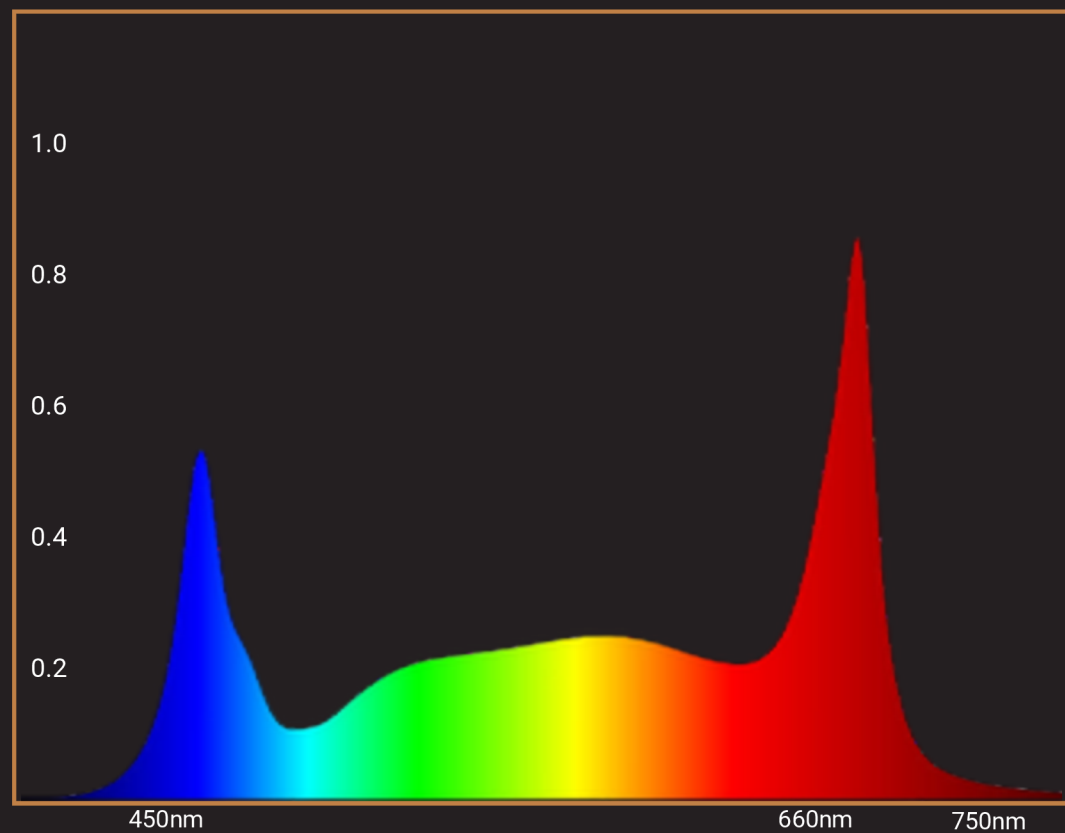
EXTERNAL CONTROL

0-10 V (Option) fixture is equipped with an external RJ12 cable and allows for daisy chained installation of up to 200 fixtures per controller. (100 fixtures per controller port).

RELIABILITY

LED & PCBA protected with conformal coating to resist moisture and avoid corrosion. Offers above industry standard surge and IP66 water/moisture/dust protection. Less than 1% failure rate over warranty period.

FULL SPECTRUM



PPFD MAPS

1110	1149	1173	1186	1171	1145	1106
1156	1319	1388	1442	1397	1322	1153
1178	1481	1684	1693	1681	1489	1193
1190	1519	1686	1714	1696	1507	1202
1179	1535	1690	1694	1599	1495	1174
1148	1314	1395	1428	1391	1320	1142
1103	1135	1177	1183	1178	1133	1094

12" PPFD PAR TEST - 05/25'

846	929	983	994	979	927	860
949	1039	1070	1096	1050	1036	947
959	1105	1146	1160	1137	1078	951
962	1104	1160	1168	1164	1100	958
953	1070	1131	1166	1135	1057	947
940	1028	1061	1074	1042	1023	937
861	922	979	970	966	925	850

24" PPFD PAR TEST - 05/25'

Evo GROW



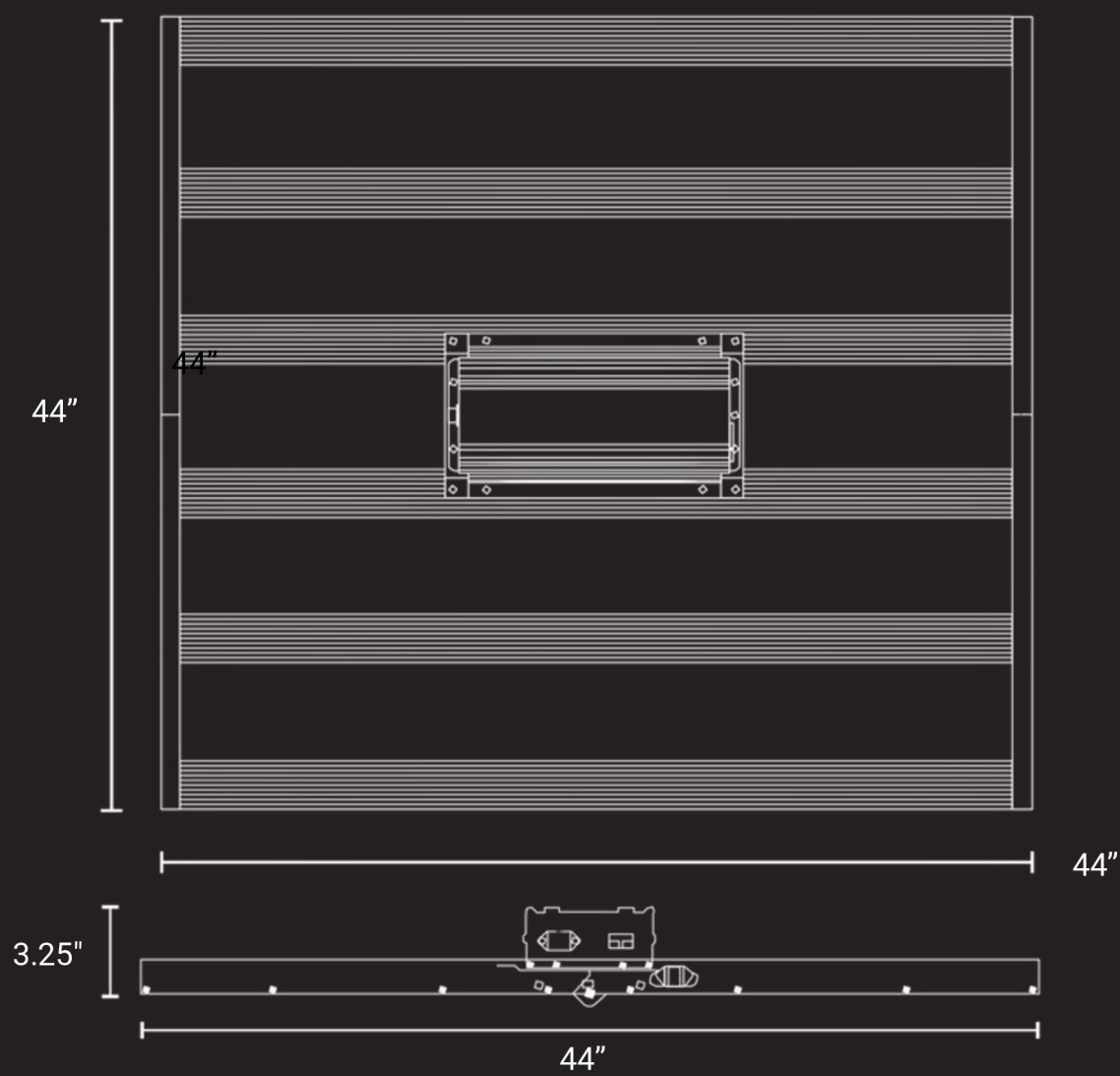
Model	SR-6 720W LED 110-277V	SR-8 840W LED 208-480V
Input Power	720W	840W
Efficacy	3.0 umol/s	3.0 umol/s
PPF	2,160 umol/J	2,520 umol/J
Input Voltage	Auto 100-277V / AC 50/60Hz	Auto 208-480V / AC 50/60Hz
Weight	24lbs	32lbs

LED	5000k (2.95 PPE) + 660nm (4.0 PPE)
Driver Efficiency	96%
Surge Protection	DM: 6KV / CM: 10KV
Mounting	≥ 6" Above Canopy
Thermal	Passive
Power Factor	> 90%

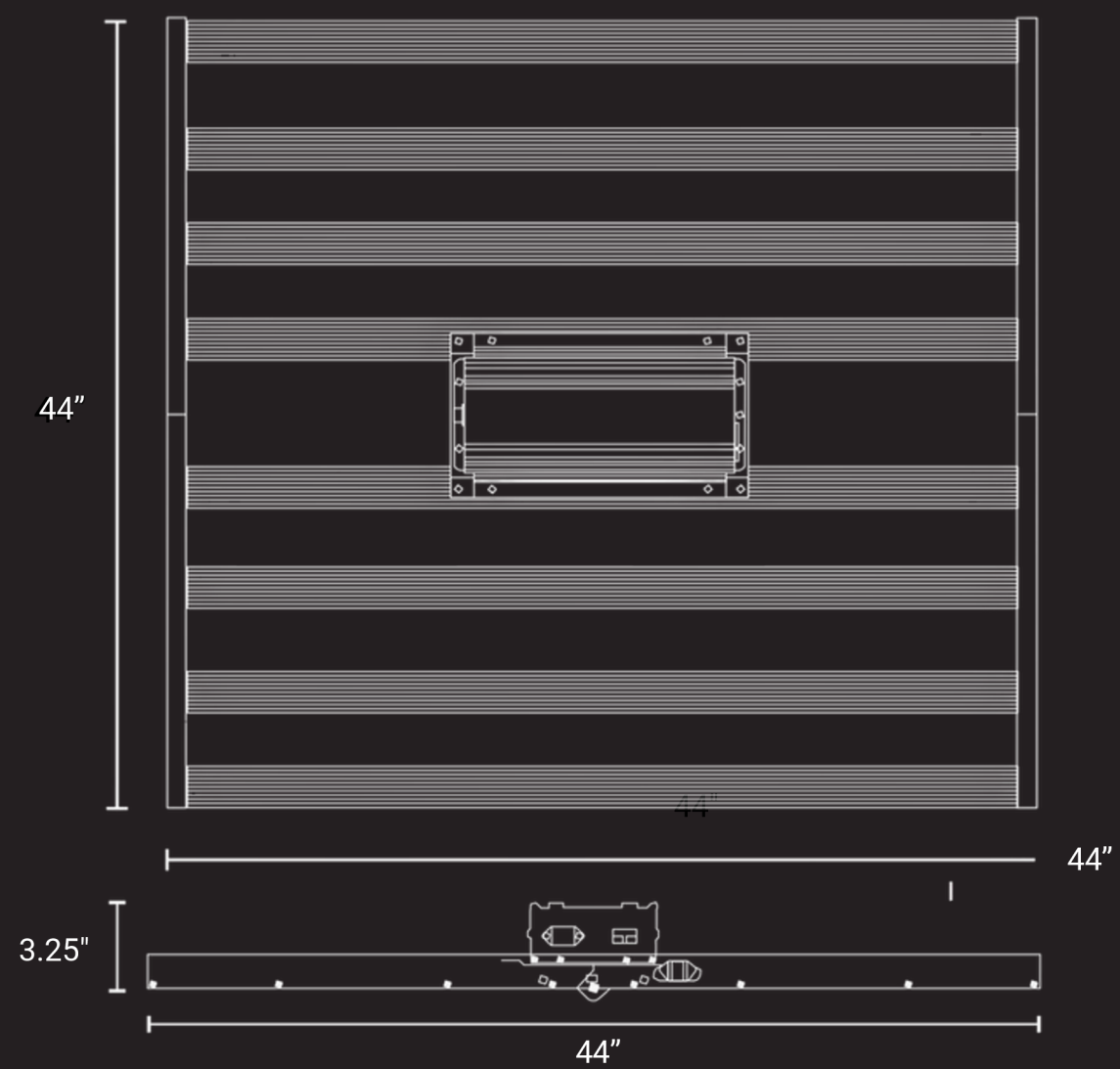
Ambient/Storage Temps	(14°F - 104°F) / (-40°F - 185°F)
Warranty	5 Year Standard
Water Protection	IP66
Life Expectancy	50,000 + hrs
LED Beam Angle	120°
Certifications	ETL, DLC

DIMENSIONS

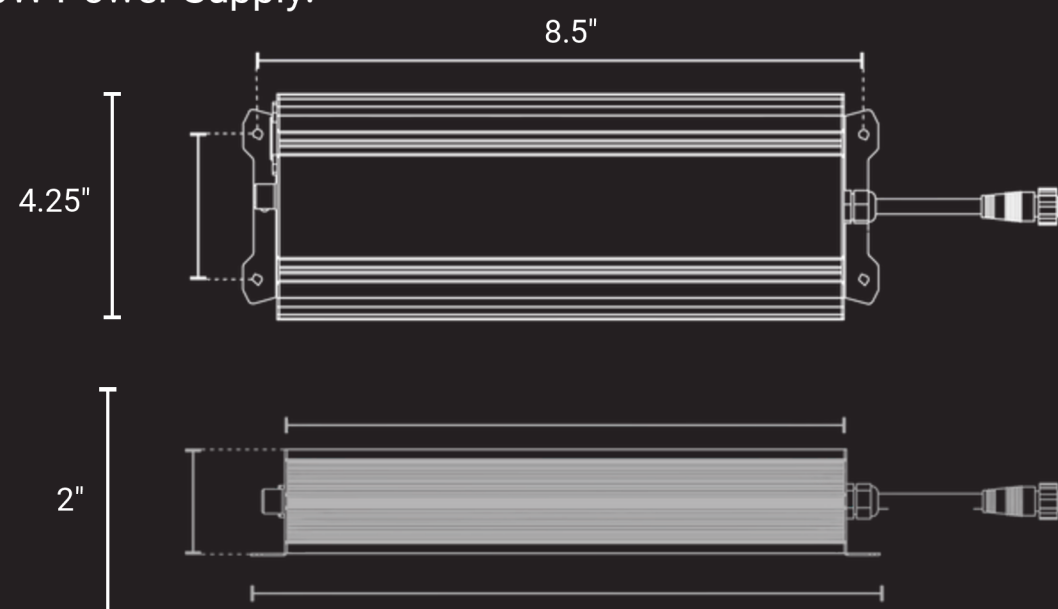
720W Fixture:



840W Fixture:



720W Power Supply:



840W Power Supply:

